

**Classement****International FW and FS Wrestling Tournament**

STYLE : FS 55 kg

1 - Or / Gold

SAYDULBATALOV Mussa

2 - Argent / Silver

TULBEA Genadiy

3 - Bronze

MARKARYAN Gevork



KHROMOV Artimir

<i>Classement</i>	<i>Nom - Name</i>	<i>Pays - Country</i>
1	SAYDULBATALOV Mussa	UKR
2	TULBEA Genadiy	MLD
3	MARKARYAN Gevork	UKR
3	KHROMOV Artimir	RUS
5	GOLUB Yuriy	UKR
5	KORYAKIN Aleksandr	RUS
7	ZAMANOV Arif	AZE
8	RATUSHNYIY Sergiy	UKR
9	VASILIEV Andrey	LAT
10	KOSHTI Asalam	RUS
11	KHAVILOV Oleksandr	UKR
12	AYANITOV Nikolay	RUS
13	LASITSA Aliaksandr	BLR
14	DJABURYAN Tigran	ARM
15	MUKHTARBEK-ULU Zhasulan	KAZ
16	KOKSEGENOV Rolan	KAZ
17	SLEPTSOV Nikolay	RUS
18	CHIRTOCA Aleksandr	MLD
19	NAVKONOV Siyavush	TJK
20	DMITRIEV Egor	RUS
21	SERIKBAYEV Aset	KAZ
22	DABBAGHI SOURAK Abbas	IRI
23	BABAKHANYAN Gegam	ARM
24	PAWLAK Marcim	POL
25	KUCEPACAU Eduard	LAT
26	DUDUEV Khizri	BLR
27	MAGOMEDALIYEV Ruslan	RUS
28	GABIBOV Muslim	RUS
28	LEBEDEV Viktor	RUS
30	SUKHOTSKI Maksim	BLR

**Classement****International FW and FS Wrestling Tournament**

STYLE : FS 55 kg



Classement	Nom - Name	Pays - Country
31	CHELBERDINOV Erchimen	RUS
31	KORNILOV Iosif	RUS
33	MARTINEZ Michael	USA
34	MARIUSZ Walkowiak	POL



Feuille de compétition / Competition Sheet

International FW and FS Wrestling Tournament



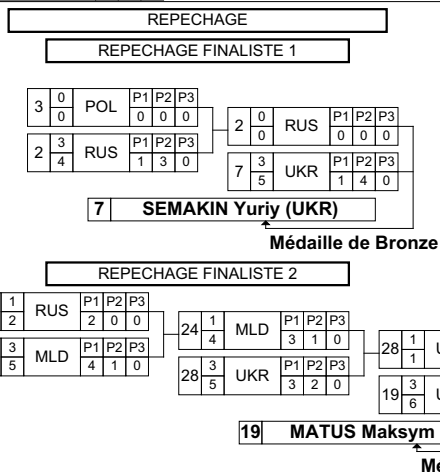
STYLE : FS 60 kg



4 FEDORYSHYN Vasyl (UKR)

Classement

Cl	Pays	Nom
1	UKR	FEDORYSHYN Vasyl
2	ARM	BERBERYAN Martin
3	UKR	SEMAKIN Yuriy
3	UKR	MATUS Maksym
5	RUS	LEONTIEV Nikolay
5	UKR	BALANDYK Yuriy
7	MLD	PEREPELITSA Andrey
8	RUS	KAYTOV Yuriy
9	BLR	MAGOMEDOV Badrudzin
10	IRI	AGHAJANIOZONBAL M.
11	KAZ	ZHAKUPOV Samat
12	GEO	KURDIANI Malkhaz
13	TJK	KORYAKIN Vitaliy
14	RUS	AHMEDOV Artur
15	RUS	MAMUYEV Alimkhan
16	GRE	IAKOVIDIS Themis
17	RUS	PESTEROV Timur
18	UKR	OSADTSA Nazar
19	RUS	DZHUKKAYEV Magomed
20	ARM	KARALETYAN Armen
21	LTU	CHUMAKOV Vitas
22	KAZ	ORAZGALIYEV Baurjan
22	KAZ	ISSAYEV Verbol
24	LAT	TRUSHKIN Aleksandr
25	GRE	KARTANOV Amiran
26	GEO	GOCHASHVILI B.
27	RUS	NEUSTROEV Andrey
28	POL	BLOK Adam





Classement

International FW and FS Wrestling Tournament

STYLE : FS 60 kg



1 - Or / Gold



FEDORYSHYN Vasyl

2 - Argent / Silver



BERBERYAN Martin

3 - Bronze



SEMAKIN Yuriy



MATUS Maksym

Classement	Nom - Name	Pays - Country
1	FEDORYSHYN Vasyl	UKR
2	BERBERYAN Martin	ARM
3	SEMAKIN Yuriy	UKR
3	MATUS Maksym	UKR
5	LEONTIEV Nikolay	RUS
5	BALANDYK Yuriy	UKR
7	PEREPELITSA Andrey	MLD
8	KAYTOV Yuriy	RUS
9	MAGOMEDOV Badrudzin	BLR
10	AGHAJANIOZONBAL Mostafa	IRI
11	ZHAKUPOV Samat	KAZ
12	KURDIANI Malkhaz	GEO
13	KORYAKIN Vitaliy	TJK
14	AHMEDOV Artur	RUS
15	MAMUYEV Alimkhan	RUS
16	IAKOVIDIS Themis	GRE
17	PESTEROV Timur	RUS
18	OSADTSA Nazar	UKR
19	DZHUKKAYEV Magomed	RUS
20	KARALETYAN Armen	ARM
21	CHUMAKOV Vitas	LTU
22	ORAZGALIYEV Baurjan	KAZ
22	ISSAYEV Verbol	KAZ
24	TRUSHKIN Aleksandr	LAT
25	KARTANOV Amiran	GRE
26	GOCHASHVILI Besarion	GEO
27	NEUSTROEV Andrey	RUS
28	BLOK Adam	POL



Feuille de compétition / Competition Sheet

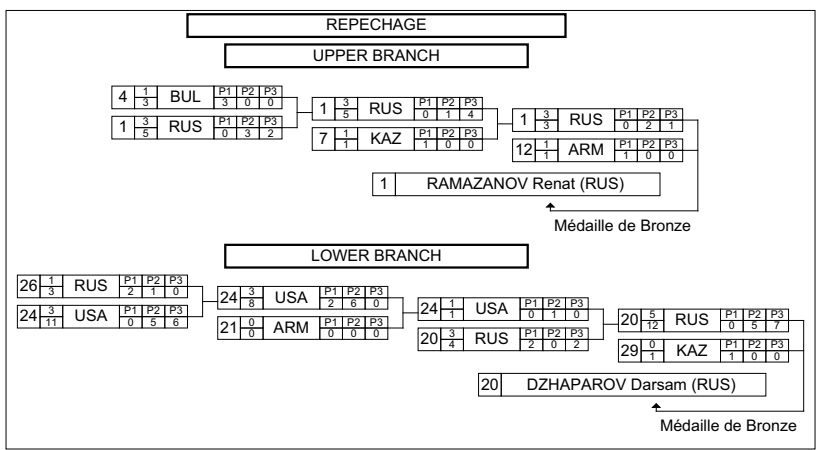
International FW and FS Wrestling Tournament



STYLE : FS 66 kg

1/16 Finale			1/8 FINALE			1/4 FINALE			1/2 FINALE			FINALE					
1	4/12	RAMAZANOV Renat (RUS)	P1	P2	P3	6	6	0									
2	0	PISCITELLI Pietro (ITA)	P1	P2	P3	0	0	0									
3	3	BILOKOPYTYI Viktor (UKR)	P1	P2	P3	0	5	3									
4	1	SHISHKOV Sergey (BUL)	P1	P2	P3	1	0	1									
5	1	GITINOV Habib (RUS)	P1	P2	P3	0	1	0									
6	3	BAYCHOROV Azret (RUS)	P1	P2	P3	1	4	0									
7	3	BEKJANOV Nurlan (KAZ)	P1	P2	P3	0	1	1									
8	1	SAVINOV Platon (RUS)	P1	P2	P3	3	0	0									
9	4	BAZAN Leonid (UKR)	P1	P2	P3	6	7	0									
10	0	POLIAK Yurii (ISR)	P1	P2	P3	0	0	0									
11	1	TRIANATFYUDIS A. (GRE)	P1	P2	P3	0	1	0									
12	3	HOVHANISYAN Z. (ARM)	P1	P2	P3	2	7	0									
13	0	BABRNAK Dusan (SVK)	P1	P2	P3	0	0	0									
14	3	KOZHAKHMETOV Askar (KAZ)	P1	P2	P3	3	2	0									
15	3	CHABAN Yan (UKR)	P1	P2	P3	1	3	0									
16	0	SHEYKO Aleksandr (BLR)	P1	P2	P3	0	0	0									
17	3	ARZOYAN Ismail (RUS)	P1	P2	P3	5	3	0									
18	1	SIRBU Dmitriy (MLD)	P1	P2	P3	3	0	0									
19	0	YAKUBCHIK Daniyan (POL)	P1	P2	P3	0	0	0									
20	3	DZHAPAROV Darsam (RUS)	P1	P2	P3	4	2	0									
21	3	HOVSELYAN Amazas (ARM)	P1	P2	P3	0	1	1									
23	1	MALENKOV Dmytro (UKR)	P1	P2	P3	1	0	0									
24	0	FRAYER Jared (USA)	P1	P2	P3	0	0	0									
27	3	PAULSON Trent (USA)	P1	P2	P3	5	4	0									
29	3	TANATAROV Akjuren (KAZ)	P1	P2	P3	5	6	0									
31	0	CHABA Mikhaly (ROM)	P1	P2	P3	0	0	0									
32	4	SHADRYAN Dmitriy (RUS)	P1	P2	P3	6	7	0									
35	0	SADOWSKYY Voychish (POL)	P1	P2	P3	0	0	0									
36	1	SKUPYY Igor (UKR)	P1	P2	P3	0	1	0									
39	3	SOBIERAJ Adam (POL)	P1	P2	P3	1	2	0									
41	3	MUKHTAROV Artur (RUS)	P1	P2	P3	1	3	0									
43	1	TASKOUDIS A. (GRE)	P1	P2	P3	1	2	0									

QUALIFICATION		
22	1	AFANASIEV Yuriy (RUS)
23	3	MALENKOV Dmytro (UKR)
24	5	FRAYER Jared (USA)
25	0	MOHAMMADNEJAD H H. (IRI)
26	0	GETINOV Sharap (RUS)
27	5	PAULSON Trent (USA)
28	0	ALIMOV Rafik (RUS)
29	3	TANATAROV Akjuren (KAZ)
30	0	ANDROSOV Ignatij (TJK)
31	5	CHABA Mikhaly (ROM)
32	3	SHADRYAN Dmitriy (RUS)
33	1	KAKALADZE Koba (GEO)
34	1	UMAYEV Aslan (RUS)
35	3	SADOWSKYY Voychish (POL)
36	3	SKUPYY Igor (UKR)
37	1	MOHARAMPOOR Mehdi (IRI)
38	1	KHONELIDZE Anzor (UKR)
39	3	SOBIERAJ Adam (POL)
40	1	HRYBAILAU Pavel (BLR)
41	3	MUKHTAROV Artur (RUS)
42	1	SHIKHOV Zhlavhan (RUS)
43	3	TASKOUDIS A. (GRE)





Classement

International FW and FS Wrestling Tournament

STYLE : FS 66 kg



1 - Or / Gold



PAULSON Trent

2 - Argent / Silver



BILOKOPYTYYY Viktor

3 - Bronze



RAMAZANOV Renat



DZHAPAROV Darsam

Classement	Nom - Name	Pays - Country
1	PAULSON Trent	USA
2	BILOKOPYTYYY Viktor	UKR
3	RAMAZANOV Renat	RUS
3	DZHAPAROV Darsam	RUS
5	HOVHANISYAN Zwirayr	ARM
5	TANATAROV Akjurek	KAZ
7	FRAYER Jared	USA
8	SOBIERAJ Adam	POL
9	SHADRYAN Dmitriy	RUS
10	BEKJANOV Nurlan	KAZ
11	CHABAN Yan	UKR
12	MUKHTAROV Artur	RUS
13	CHABA Mikhaly	ROM
14	BAZAN Leonid	UKR
15	TASKOUDIS Apostolos	GRE
16	ARZOYAN Ismail	RUS
17	MALENKOV Dmytro	UKR
18	KOZHAKHMETOV Askar	KAZ
19	BAYCHOROV Azret	RUS
20	HOVSELYAN Amazas	ARM
21	SKUPYY Igor	UKR
22	SADOWSKYY Voychish	POL
23	SHISHKOV Sergey	BUL
24	KAKALADZE Koba	GEO
25	GETINOV Sharap	RUS
26	SAVINOV Platon	RUS
27	SIRBU Dmitriy	MLD
28	AFANASIEV Yuriy	RUS
29	MOHARAMPOOR Mehdi	IRI
30	UMAYEV Aslan	RUS

**Classement****International FW and FS Wrestling Tournament**

STYLE : FS 66 kg



Classement	Nom - Name	Pays - Country
30	KHONELIDZE Anzor	UKR
32	SHIKHOV Zhlavhan	RUS
33	HRYBAILAU Pavel	BLR
34	GITINOV Habib	RUS
35	TRIANAFYUDIS Andreas	GRE
36	ANDROSOV Ignatij	TJK
37	MOHAMMADNEJAD H Hamid	IRI
38	ALIMOV Rafik	RUS
39	SHEYKO Aleksandr	BLR
40	BABRNAK Dusan	SVK
41	YAKUBCHIK Daniyan	POL
42	PISCITELLI Pietro	ITA
43	POLIAK Yurii	ISR



Feuille de compétition / Competition Sheet

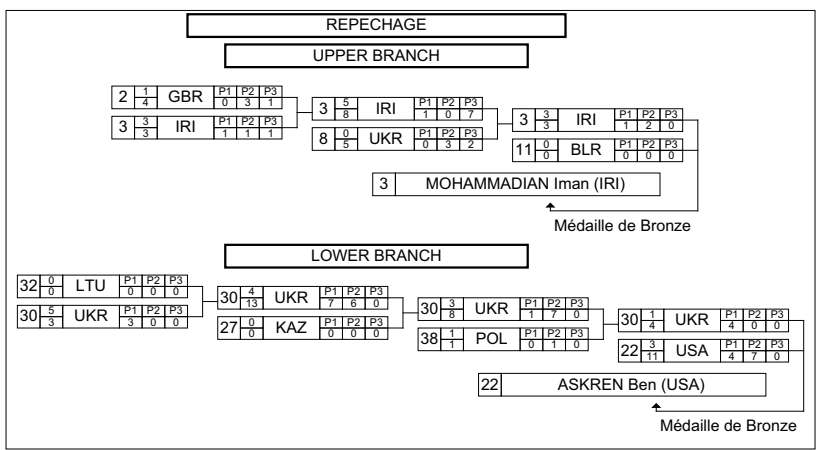
International FW and FS Wrestling Tournament



STYLE : FS 74 kg

1/16 Finale			1/8 FINALE			1/4 FINALE			1/2 FINALE			FINALE					
1	3/5	OSMANOV Sayfutddin (KAZ)	P1	P2	P3	1	3/10	KAZ	P1	P2	P3	1	3/12	KAZ	P1	P2	P3
2	0/0	DYKUN Myroslav (GBR)	P1	P2	P3												
3	3/5	MOHAMMADIAN Iman (IRI)	P1	P2	P3	3	1/3	IRI	P1	P2	P3						
4	1/2	BURCA Aleksandr (MLD)	P1	P2	P3												
5	0/0	HRBACEK Michal (SVK)	P1	P2	P3	6	1/1	RUS	P1	P2	P3						
6	4/12	SEMIONOV Tram (RUS)	P1	P2	P3												
7	1/4	PANIN Roman (RUS)	P1	P2	P3	8	3/7	UKR	P1	P2	P3						
8	3/10	TSOTADZE Sabo (UKR)	P1	P2	P3												
9	3/5	BIKOYEV Besarion (RUS)	P1	P2	P3	9	0/4	RUS	P1	P2	P3						
10	1/4	BAZRIGHALEH A. (IRI)	P1	P2	P3												
11	3/9	ZAITSAU Vadim (BLR)	P1	P2	P3	11	3/6	BLR	P1	P2	P3						
12	1/6	MARKOSYAN Suren (ARM)	P1	P2	P3												
13	3/5	ALIYEV Ashraf (AZE)	P1	P2	P3	13	1/1	AZE	P1	P2	P3						
14	1/4	LEWIS Tyrone (USA)	P1	P2	P3												
15	5/6	AKYLBKOV Saidbek (KAZ)	P1	P2	P3	15	3/3	KAZ	P1	P2	P3						
16	0/5	NURMAGOMEDOV M. (RUS)	P1	P2	P3												
17	0/0	PAULSON Travis (USA)	P1	P2	P3	18	1/1	RUS	P1	P2	P3						
18	3/2	AYBAZOV Ali (RUS)	P1	P2	P3												
19	3/2	ADJIYEV Aznavyr (KAZ)	P1	P2	P3	19	3/2	KAZ	P1	P2	P3						
20	0/0	ZUBAIROV Magomed (RUS)	P1	P2	P3												
21	0/0	HART Georg (GER)	P1	P2	P3	22	5/12	USA	P1	P2	P3						
22	5/3	ASKREN Ben (USA)	P1	P2	P3												
23	3/8	NESTEROV Andrey (BLR)	P1	P2	P3	23	0/1	BLR	P1	P2	P3						
24	1/1	DUBINSKIY Pavel (BLR)	P1	P2	P3												
26	0/0	SAMSONNIK Roman (RUS)	P1	P2	P3	27	0/0	KAZ	P1	P2	P3						
27	3/2	SYZDYKOV Aydar (KAZ)	P1	P2	P3												
30	1/4	BILOTSERKIVSKYY O. (UKR)	P1	P2	P3	31	3/10	KAZ	P1	P2	P3						
31	3/7	SHAPIEV A. (KAZ)	P1	P2	P3												
34	3/7	SAGIRASHVILI Gela (GEO)	P1	P2	P3	34	0/0	GEO	P1	P2	P3						
36	0/0	DANYLIUK Bogdan (UKR)	P1	P2	P3												
38	3/3	BRZOZOWSKI K. (POL)	P1	P2	P3	38	3/2	POL	P1	P2	P3						
40	0/0	OKANECHNIKOV A. (RUS)	P1	P2	P3												

QUALIFICATION		
25	0/0	SADIKOV Sivan (ISR)
26	3/11	SAMSONNIK Roman (RUS)
27	3/3	SYZDYKOV Aydar (KAZ)
28	1/3	GRUNDY Maichael (GBR)
29	0/0	UMATGERIEV S. (RUS)
30	3/4	BILOTSERKIVSKYY O. (UKR)
31	4/13	SHAPIEV A. (KAZ)
32	0/0	GEDIUS Morkis (LTU)
33	0/0	RINELLA Salvatore (ITA)
34	3/4	SAGIRASHVILI Gela (GEO)
35	1/4	ELKIYEV Rouslan (UKR)
36	3/6	DANYLIUK Bogdan (UKR)
37	1/6	GHEORGHITA Stefan (ROM)
38	3/4	BRZOZOWSKI K. (POL)
39	1/2	STAROSTYN Yuriy (RUS)
40	3/9	OKANECHNIKOV A. (RUS)





Classement

International FW and FS Wrestling Tournament

STYLE : FS 74 kg



1 - Or / Gold



OSMANOV Sayfutddin

2 - Argent / Silver



SHAPIEV Abdulkhakim

3 - Bronze



MOHAMMADIAN Iman



ASKREN Ben

Classement	Nom - Name	Pays - Country
1	OSMANOV Sayfutddin	KAZ
2	SHAPIEV Abdulkhakim	KAZ
3	MOHAMMADIAN Iman	IRI
3	ASKREN Ben	USA
5	ZAITSAU Vadim	BLR
5	BILOTSEKIVSKYY O.	UKR
7	BRZOZOWSKI Krystian	POL
8	AKYLBEKOV Saidbek	KAZ
9	TSOTADZE Sabo	UKR
10	ADJIYEV Aznavyr	KAZ
11	SAGIRASHVILI Gela	GEO
12	SYZDYKOV Aydar	KAZ
13	SEMIONOV Tram	RUS
14	ALIYEV Ashraf	AZE
15	AYBAZOV Ali	RUS
16	SAMSONNIK Roman	RUS
17	OKANECHNIKOV Aleksandr	RUS
18	BIKOYEV Besarion	RUS
19	NESTEROV Andrey	BLR
20	DANYLIUK Bogdan	UKR
21	GHEORGHITA Stefan	ROM
22	MARKOSYAN Suren	ARM
23	BAZRIGHALEH Aliasghar	IRI
23	LEWIS Tyrone	USA
25	ELKIYEV Rouslan	UKR
26	DYKUN Myroslav	GBR
27	PANIN Roman	RUS
28	GRUNDY Maichael	GBR
29	BURCA Aleksandr	MLD
30	STAROSTYN Yuriy	RUS

**Classement****International FW and FS Wrestling Tournament**

STYLE : FS 74 kg



Classement	Nom - Name	Pays - Country
31	DUBINSKYY Pavel	BLR
32	NURMAGOMEDOV Magommed	RUS
33	ZUBAIROV Magomed	RUS
33	PAULSON Travis	USA
35	HART Georg	GER
36	RINELLA Salvatore	ITA
36	UMATGERIEV Saidmagomed	RUS
38	SADIKOV Sivan	ISR
39	HRBACEK Michal	SVK
40	GEDRIUS Morkis	LTU

**Classement****International FW and FS Wrestling Tournament**

STYLE : FS 84 kg

**1 - Or / Gold**

KTSOYEV Soslan

2 - Argent / Silver

DANKO Taras

3 - Bronze

MINDORASHVILI Revaz



ALBOROV Ludvig

Classement	Nom - Name	Pays - Country
1	KTSOYEV Soslan	RUS
2	DANKO Taras	UKR
3	MINDORASHVILI Revaz	GEO
3	ALBOROV Ludvig	RUS
5	ALBOROV Vadym	RUS
5	LALIEV Vadym	ARM
7	YANULOV Petr	MLD
8	TEMREZOV Kurman	RUS
9	LALIYEV Gennadiy	KAZ
10	KITIYASHVILI Aechili	GEO
11	TAIMOV Abdulagadji	RUS
12	DENILKHANOV Ali	RUS
13	HERBERT Jake	USA
14	KOLESNIKOV Sergei	ISR
15	FULLHART Lee	USA
16	ASANOV Eldar	UKR
17	KOTCHIEV Alan	RUS
18	ALEI KORDKALAEI Mohammadbagher	IRI
19	HASSEMAN Bryce	USA
20	MUKHA Viktor	UKR
21	KOCHEV Renat	RUS
22	UNAYEV Aslan	RUS
23	ABIROV Ilham	AZE
24	AZADOROV Inal	SVK
25	KRASNENKO Roman	UKR
26	GAGIEV Kantimir	UKR
26	BORANBAYEV Kaysar	KAZ
28	ENOKYAN Arutiun	ARM
29	KUSHNIR Oleg	UKR
30	TAGZIYEV Tamerlan	SRB

**Classement****International FW and FS Wrestling Tournament**

STYLE : FS 84 kg



Classement	Nom - Name	Pays - Country
31	MEKET W.	KAZ
31	DRUZHYNETS Oleg	GBR
31	MANSYROV Eldar	UKR
34	WATTENBERG Clint	USA
35	SHIBKO Illya	BLR
35	GONCHAROV Dmitriy	BLR
37	KHOLALAU Dmitry	BLR
38	RHIMI Adnane	TUN
39	ARFE Marco	ITA



Feuille de compétition / Competition Sheet

International FW and FS Wrestling Tournament



STYLE : FS 96 kg

1/16 Finale

1/8 FINALE

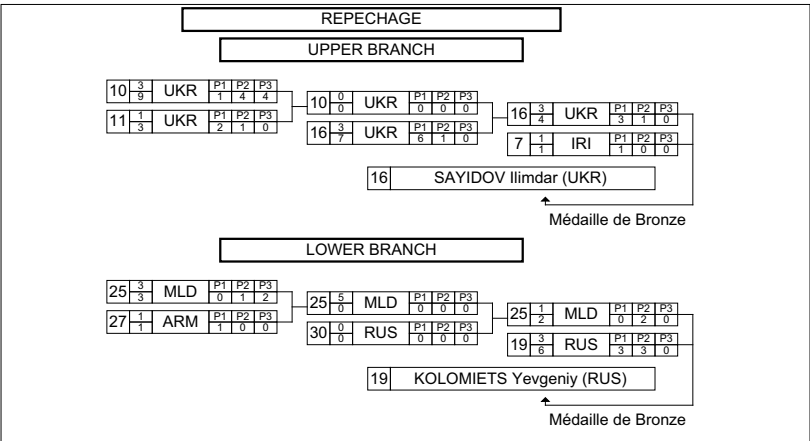
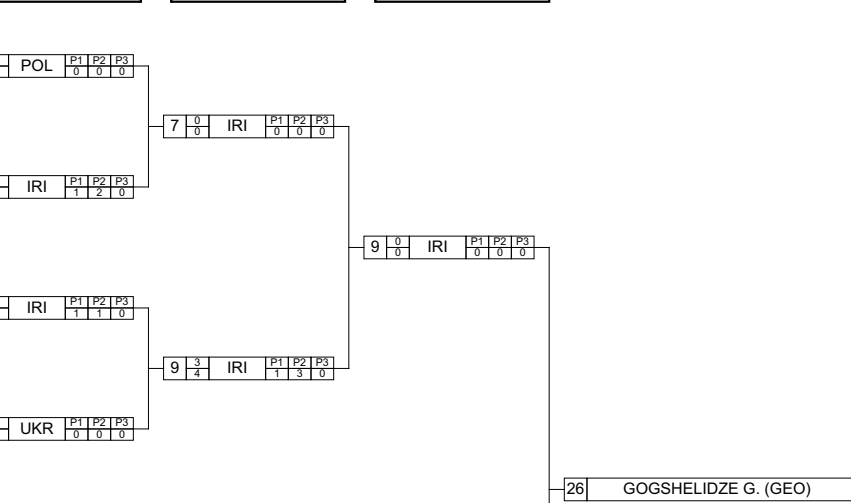
1/4 FINALE

1/2 FINALE

FINALE

1 1/4	DATSENKO Mykhail (UKR)	P1 P2 P3 4 0 0	2 3/6	POL	P1 P2 P3 1 1 4
2 3/11	BARTNICKI B. (POL)	P1 P2 P3 2 1 3	4 1/3	NED	P1 P2 P3 3 0 0
3 1/4	LAMBRIANOS Tzonis (GRE)	P1 P2 P3 0 1 0	6 0/0	AZE	P1 P2 P3 0 0 0
4 3/11	BIDZICHVILI Zviad (NED)	P1 P2 P3 4 7 0	7 3/3	IRI	P1 P2 P3 2 1 0
5 1/4	MIANO PETTA F. (ITA)	P1 P2 P3 0 4 0	9 3/5	IRI	P1 P2 P3 2 3 0
6 3/11	IMANGULIYEV Mehman (AZE)	P1 P2 P3 6 5 0	11 0/0	UKR	P1 P2 P3 0 0 0
7 3/6	MARDANI Arash (IRI)	P1 P2 P3 1 5 0	13 0/0	LAT	P1 P2 P3 0 0 0
8 0/0	FIRSOV Andriy (UKR)	P1 P2 P3 0 0 0	16 3/8	UKR	P1 P2 P3 1 7 0
9 3/7	MORADI Amir abbas (IRI)	P1 P2 P3 2 5 0	18 1/3	RUS	P1 P2 P3 0 3 0
10 1/2	ANDRIYTSEV Valeriy (UKR)	P1 P2 P3 0 2 0	19 3/14	RUS	P1 P2 P3 6 8 0
11 3/2	SAGALYUK Lubomir (UKR)	P1 P2 P3 1 0 1	21 3/6	KAZ	P1 P2 P3 2 6 0
12 1/1	CHUKROV Nrgun (RUS)	P1 P2 P3 0 1 0	23 1/3	KAZ	P1 P2 P3 3 0 0
13 3/2	LAGODSKIY Iman (LAT)	P1 P2 P3 1 0 1	26 3/2	GEO	P1 P2 P3 1 1 0
14 1/7	YANKOV Sergey (BLR)	P1 P2 P3 0 7 0	27 0/0	ARM	P1 P2 P3 0 0 0
15 0/0	KYKOT Viktor (UKR)	P1 P2 P3 0 0 0	30 3/6	RUS	P1 P2 P3 2 4 0
16 3/3	SAYIDOV Ilindar (UKR)	P1 P2 P3 1 2 0	32 0/0	RUS	P1 P2 P3 0 0 0
17 0/0	GATTSIEV Soslan (BLR)	P1 P2 P3 0 0 0			
18 5/0	KHUBULOV Vladislav (RUS)	P1 P2 P3 0 0 0			
19 3/5	KOLOMIETS Yevgeniy (RUS)	P1 P2 P3 2 3 0			
20 1/1	MINDAUGAS Rumbutis (LTU)	P1 P2 P3 0 1 0			
21 3/15	SHABANBAY Daulet (KAZ)	P1 P2 P3 7 8 0			
22 1/6	BACKES Kurt peter (USA)	P1 P2 P3 2 4 0			
23 3/3	BAYDUASHEV ErmeK (KAZ)	P1 P2 P3 1 2 0			
24 0/0	LAZAREV Ayal (RUS)	P1 P2 P3 0 0 0			
25 0/0	SEBANU Nikola (MLD)	P1 P2 P3 0 0 0			
26 3/7	GOGSHELIDZE G. (GEO)	P1 P2 P3 3 4 0			
27 3/8	ENOKYAN Edgar (ARM)	P1 P2 P3 2 6 0			
28 0/0	RATTIGAN Leon (GBR)	P1 P2 P3 0 0 0			
29 1/1	TASOYEV Artur (RUS)	P1 P2 P3 0 0 0			
30 3/5	MUSAYEV Magomed (RUS)	P1 P2 P3 2 3 0			
31 1/2	DUKHIN Yevgen (UKR)	P1 P2 P3 2 0 0			
32 3/4	ALBOROV Arsen (RUS)	P1 P2 P3 2 2 0			

QUALIFICATION		
32 3/2	ALBOROV Arsen (RUS)	P1 P2 P3 1 0 1
33 1/2	CERMINERA Kyle (USA)	P1 P2 P3 1 1 0



**Classement****International FW and FS Wrestling Tournament**

STYLE : FS 96 kg

**1 - Or / Gold****GOGSHELIDZE Georgiy****2 - Argent / Silver****MORADI Amir abbas****3 - Bronze****SAYIDOV Ilimdar****KOLOMIETS Yevgeniy**

Classement	Nom - Name	Pays - Country
1	GOGSHELIDZE Georgiy	GEO
2	MORADI Amir abbas	IRI
3	SAYIDOV Ilimdar	UKR
3	KOLOMIETS Yevgeniy	RUS
5	MARDANI Arash	IRI
5	SEBANU Nikola	MLD
7	SHABANBAY Daulet	KAZ
8	MUSAYEV Magomed	RUS
9	BARTNICKI Bartlomiej	POL
10	ALBOROV Arsen	RUS
11	KHUBULOV Vladislav	RUS
12	BIDZICHVILI Zviad	NED
13	ANDRIYTSEV Valeriy	UKR
14	ENOKYAN Edgar	ARM
15	BAYDUASHEV Ermek	KAZ
16	SAGALYUK Lubomir	UKR
17	IMANGULIYEV Mehman	AZE
18	LAGODSKIY Iman	LAT
19	YANKOV Sergey	BLR
20	BACKES Kurt peter	USA
21	DATSENKO Mykhail	UKR
21	MIANO PETTA Francesco	ITA
23	CERMINERA Kyle	USA
24	DUKHIN Yevgen	UKR
25	CHUKROV Nrgun	RUS
26	MINDAUGAS Rumbutis	LTU
27	LAMBRIANOS Tzonis	GRE
28	TASOYEV Artur	RUS
29	GATTSIEV Soslan	BLR
30	KYKOT Viktor	UKR



Classement

International FW and FS Wrestling Tournament

STYLE : FS 96 kg



Classement	Nom - Name	Pays - Country
30	LAZAREV Ayal	RUS
32	FIRSOV Andriy	UKR
33	RATTIGAN Leon	GBR



Feuille de compétition / Competition Sheet

International FW and FS Wrestling Tournament



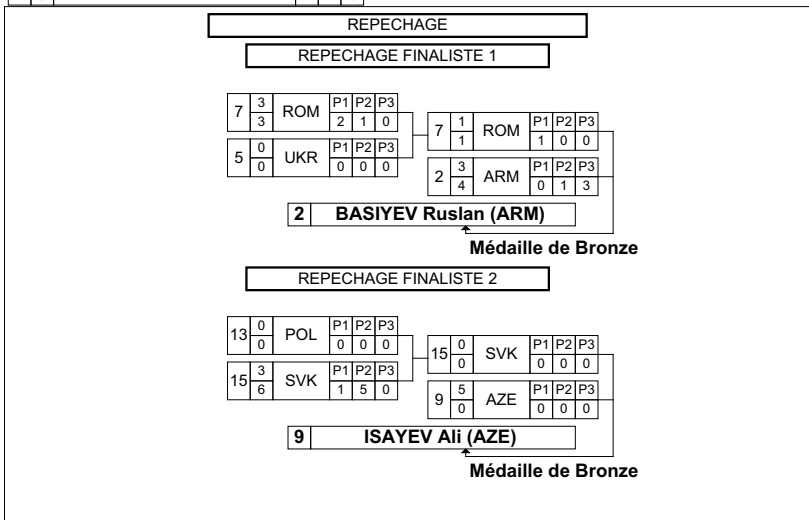
STYLE : FS 120 kg



8 MUTALIBOV Marid (KAZ)

Classement

Cl	Pays	Nom
1	KAZ	MUTALIBOV Marid
2	RUS	SHEMAROV Aleksey
3	ARM	BASIYEV Ruslan
3	AZE	ISAYEV Ali
5	ROM	CHINTOYAN Rares
5	SVK	MUSULBES David
7	USA	MOCCO Steve
8	UKR	PRIADUN Sergiy
9	KAZ	SVATKOVSKYY Andrey
10	KAZ	KUSEPOV Ashat
11	BLR	KACHAN Vasyliy
12	RUS	BAGAYEV Tamerlan
13	UKR	KYSLENKO Dmytro
14	UKR	IVANOV Oleg
15	RUS	DZAMBAYEV Alan
16	GEO	MODZMANASHVILI D.
16	RUS	TAMAYEV Shamil
18	POL	KORDUS Arkadiusz



**Classement****International FW and FS Wrestling Tournament**

STYLE : FS 120 kg

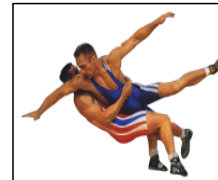
1 - Or / Gold**MUTALIBOV Marid****2 - Argent / Silver****SHEMAROV Aleksey****3 - Bronze****BASIYEV Ruslan****ISAYEV Ali**

Classement	Nom - Name	Pays - Country
1	MUTALIBOV Marid	KAZ
2	SHEMAROV Aleksey	RUS
3	BASIYEV Ruslan	ARM
3	ISAYEV Ali	AZE
5	CHINTOYAN Rares	ROM
5	MUSULBES David	SVK
7	MOCCO Steve	USA
8	PRIADUN Sergiy	UKR
9	SVATKOVSKYY Andrey	KAZ
10	KUSEPOV Ashat	KAZ
11	KACHAN Vasyliy	BLR
12	BAGAYEV Tamerlan	RUS
13	KYSLENKO Dmytro	UKR
14	IVANOV Oleg	UKR
15	DZAMBAYEV Alan	RUS
16	MODZMANASHVILI Davyd	GEO
16	TAMAYEV Shamil	RUS
18	KORDUS Arkadiusz	POL



Feuille de compétition / Competition Sheet

International FW and FS Wrestling Tournament

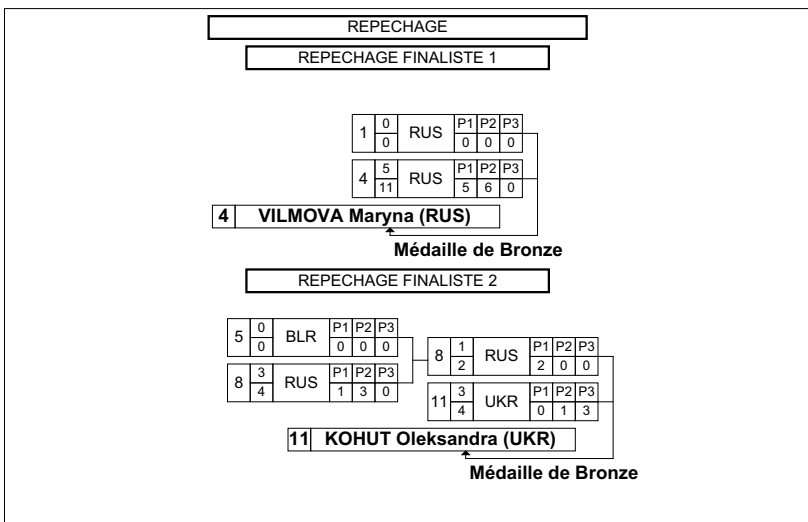


STYLE : FW 51 kg



Classement

Cl	Pays	Nom
1	UKR	BLAGINYA Yuliya
2	RUS	MAKSYMOVA Anna
3	RUS	VILMOVA Maryna
3	UKR	KOHUT Oleksandra
5	RUS	ZENKINA Ekateryna
5	RUS	ADASHINSKAYA Aliona
7	UKR	REZVA Maryna
8	MLD	BUDU Nataliya
9	RUS	ORSHICH Olga
10	KRG	SHAYLOBAEVA Nurzat
11	BLR	ASRASHVILI Svitlana
12	RUS	TATARKULOVA E.





Feuille de compétition / Competition Sheet

International FW and FS Wrestling Tournament



STYLE : FW 48 kg

QUALIFICATION				1/8 FINALE				1/4 FINALE				1/2 FINALE				FINALE			
1		STADNYK Mariya (AZE)		1	3	AZE	P1 P2 P3 4 6 0	1	3	AZE	P1 P2 P3 5 1 0	1	3	AZE	P1 P2 P3 1 3 0				
2		YAROVA Regina (UKR)		2	1	UKR	P1 P2 P3 2 0 0	3	0	UKR	P1 P2 P3 0 0 0	1	3	AZE	P1 P2 P3 1 3 0				
3		IEMELIYANOVA V. (UKR)		3	3	UKR	P1 P2 P3 0 1 1	5	1	RUS	P1 P2 P3 0 1 0	1	3	AZE	P1 P2 P3 1 3 0				
4		STADNIK Yana (GBR)		4	1	GBR	P1 P2 P3 1 0 0	6	0	BLR	P1 P2 P3 0 0 0	8	1	RUS	P1 P2 P3 0 2 0				
5		SHISHKINA Mariya (RUS)		5	5	RUS	P1 P2 P3 2 4 0	7	0	TUN	P1 P2 P3 0 0 0	8	3	RUS	P1 P2 P3 1 7 0				
6		KHMIALNITSKAYA M. (BLR)		6	0	BLR	P1 P2 P3 0 0 0	8	5	RUS	P1 P2 P3 4 0 0	11	1	UKR	P1 P2 P3 1 1 0				
7		NAZIHA Hamza (TUN)		7	0	TUN	P1 P2 P3 0 0 0	9	0	BLR	P1 P2 P3 0 0 0	11	3	UKR	P1 P2 P3 3 6 0				
8		RAKHMANOVA Zamira (RUS)		8	5	RUS	P1 P2 P3 4 0 0	10	1	ROM	P1 P2 P3 1 2 0	11	3	UKR	P1 P2 P3 5 3 0				
9		PIATROVA A. (BLR)		9	0	BLR	P1 P2 P3 0 0 0	10	3	ROM	P1 P2 P3 2 4 0	11	3	UKR	P1 P2 P3 5 3 0				
10		CROITORU Cristina (ROM)		10	3	ROM	P1 P2 P3 2 4 0	11	3	UKR	P1 P2 P3 5 3 0	11	3	UKR	P1 P2 P3 5 3 0				
11		LIVACH Mariya (UKR)		11	3	UKR	P1 P2 P3 3 6 0	12	1	UZB	P1 P2 P3 0 2 0	11	3	UKR	P1 P2 P3 5 3 0				
12		TADJIMURATOVA U. (UZB)		12	1	UZB	P1 P2 P3 0 2 0	12	1	UZB	P1 P2 P3 0 2 0	11	3	UKR	P1 P2 P3 5 3 0				
13		STARAVOITAVA Yulia (BLR)		13	0	BLR	P1 P2 P3 0 0 0	13	0	BLR	P1 P2 P3 0 0 0	11	3	UKR	P1 P2 P3 5 3 0				
14	0	PAULAVA Volha (BLR)	P1 P2 P3 0 0 0	15	3	UKR	P1 P2 P3 1 3 0	15	0	UKR	P1 P2 P3 0 0 0	11	3	UKR	P1 P2 P3 5 3 0				
15	5	BEZRUKA Mariya (UKR)	P1 P2 P3 4 4 0	15	3	UKR	P1 P2 P3 1 3 0	15	0	UKR	P1 P2 P3 0 0 0	11	3	UKR	P1 P2 P3 5 3 0				
16	3	MURATA Stephanie (USA)	P1 P2 P3 1 2 0	16	0	USA	P1 P2 P3 2 6 0	15	0	UKR	P1 P2 P3 0 0 0	11	3	UKR	P1 P2 P3 5 3 0				
17	0	PULKOVSKA Natalya (UKR)	P1 P2 P3 0 0 0	16	0	USA	P1 P2 P3 2 6 0	15	0	UKR	P1 P2 P3 0 0 0	11	3	UKR	P1 P2 P3 5 3 0				
18	0	TABAEVA Anastasiya (RUS)	P1 P2 P3 0 0 0	16	0	USA	P1 P2 P3 2 6 0	15	0	UKR	P1 P2 P3 0 0 0	11	3	UKR	P1 P2 P3 5 3 0				
19	5	CHUN Clarissa (USA)	P1 P2 P3 7 0 0	19	5	USA	P1 P2 P3 4 0 5	19	3	USA	P1 P2 P3 2 2 0	11	3	UKR	P1 P2 P3 5 3 0				

1 STADNYK Mariya (AZE)

Classement

Cl	Pays	Nom
1	AZE	STADNYK Mariya
2	USA	CHUN Clarissa
3	RUS	RAKHMANOVA Zamira
3	USA	MURATA Stephanie
5	UKR	IEMELIYANOVA V.
5	UKR	LIVACH Mariya
7	UKR	BEZRUKA Mariya
8	RUS	SHISHKINA Mariya
9	ROM	CROITORU Cristina
10	UKR	YAROVA Regina
11	UZB	TADJIMURATOVA Uljan
12	GBR	STADNIK Yana
13	UKR	PULKOVSKA Natalya
14	BLR	STARAVOITAVA Yulia
14	TUN	NAZIHA Hamza
16	BLR	PIATROVA Anastasiya
16	BLR	KHMIALNITSKAYA M.
18	BLR	PAULAVA Volha
19	RUS	TABAEVA Anastasiya

REPECHAGE

REPECHAGE FINALISTE 1

2	1	UKR	P1 P2 P3 1 0 0	3	0	UKR	P1 P2 P3 0 0 0
3	3	UKR	P1 P2 P3 4 1 0	8	3	RUS	P1 P2 P3 1 1 0

8 RAKHMANOVA Zamira (RUS)

Médaille de Bronze

REPECHAGE FINALISTE 2

18	0	RUS	P1 P2 P3 0 0 0	16	3	USA	P1 P2 P3 5 1 0	16	3	USA	P1 P2 P3 1 4 0
16	5	USA	P1 P2 P3 5 6 0	15	0	UKR	P1 P2 P3 0 0 0	11	0	UKR	P1 P2 P3 0 0 0

16 MURATA Stephanie (USA)

Médaille de Bronze



Feuille de compétition / Competition Sheet

International FW and FS Wrestling Tournament



STYLE : FW 55 kg

QUALIFICATION		1/8 FINALE		1/4 FINALE		1/2 FINALE		FINALE	
1	BAVKA E. (HUN)	1	1 HUN	P1 P2 P3 1 0 0	2	0 UKR	P1 P2 P3 0 0 0	3	5 UKR
2	NAREPEKHA Olga (UKR)	2	3 UKR	P1 P2 P3 5 1 0	3	4 UKR	P1 P2 P3 7 7 0	3	2 UKR
3	LAZAREVA Tetyana (UKR)	3	5 UKR	P1 P2 P3 3 0 0	5	0 KAZ	P1 P2 P3 0 0 0	8	0 TUN
4	KUBATBEK KYZY G. (KRG)	4	0 KRG	P1 P2 P3 0 0 0	8	3 TUN	P1 P2 P3 1 2 0	12	3 UKR
5	DYNBAYEVA Miruyert (KAZ)	5	3 KAZ	P1 P2 P3 1 0 6	10	3 ROM	P1 P2 P3 2 4 0	12	0 UKR
6	MIKHALKOVA Nadzeya (BLR)	6	1 BLR	P1 P2 P3 0 2 2	11	0 UKR	P1 P2 P3 0 0 0	12	3 UKR
7	WONG Jenny (USA)	7	0 USA	P1 P2 P3 0 0 0	12	3 UKR	P1 P2 P3 1 1 0	16	0 UKR
8	AMRI Marwa (TUN)	8	5 TUN	P1 P2 P3 4 0 0	13	3 HUN	P1 P2 P3 7 1 0	16	3 UKR
9	RIABI Hella (TUN)	9	0 TUN	P1 P2 P3 0 0 0	14	0 UZB	P1 P2 P3 0 0 0	16	7 UKR
10	PAUAL Anna mariya (ROM)	10	3 ROM	P1 P2 P3 2 4 0	15	1 BLR	P1 P2 P3 1 1 3	16	6 UKR
11	LEVKOVSKA Olga (UKR)	11	0 UKR	P1 P2 P3 0 0 0	16	3 UKR	P1 P2 P3 0 2 4		
12	SYNYSHYN Natalya (UKR)	12	3 UKR	P1 P2 P3 1 1 0					
13	SZABO E. (HUN)	13	3 HUN	P1 P2 P3 7 1 0					
14	MIRZAYEVA Dinara (UZB)	14	0 UZB	P1 P2 P3 0 0 0					
15	HRYHORYEVA T. (BLR)	15	1 BLR	P1 P2 P3 1 1 3					
16	KHARIV Iryna (UKR)	16	3 UKR	P1 P2 P3 0 2 4					
17	STERN Birgit (AUT)			P1 P2 P3 0 1 0					

3 LAZAREVA Tetyana (UKR)

Classement

Cl	Pays	Nom
1	UKR	LAZAREVA Tetyana
2	UKR	SYNYSHYN Natalya
3	TUN	AMRI Marwa
3	UKR	KHARIV Iryna
5	UKR	NAREPEKHA Olga
5	ROM	PAUAL Anna mariya
7	HUN	SZABO E.
8	KAZ	DYNBAYEVA Miruyert
9	BLR	HRYHORYEVA Tatsiana
10	BLR	MIKHALKOVA Nadzeya
11	UKR	LEVKOVSKA Olga
12	HUN	BAVKA E.
13	AUT	STERN Birgit
14	KRG	KUBATBEK KYZY G.
15	USA	WONG Jenny
16	TUN	RIABI Hella
17	UZB	MIRZAYEVA Dinara

REPECHAGE	
REPECHAGE FINALISTE 1	
4	0 KRG
2	5 UKR
2	1 UKR
8	3 TUN
8	AMRI Marwa (TUN)
Médaille de Bronze	
REPECHAGE FINALISTE 2	
11	1 UKR
10	3 ROM
16	KHARIV Iryna (UKR)
Médaille de Bronze	

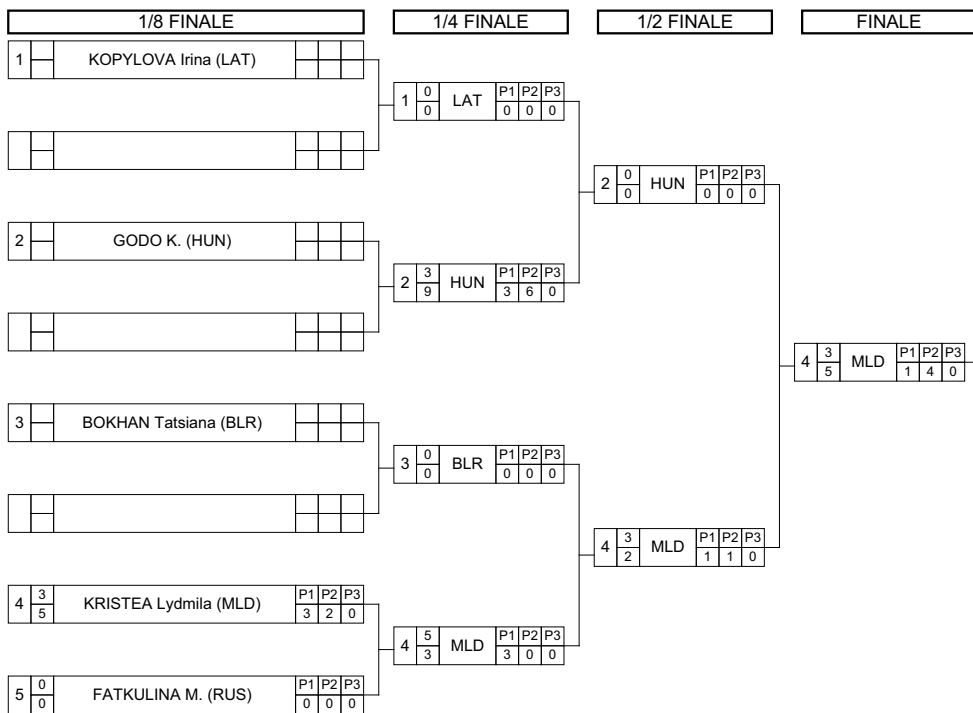


Feuille de compétition / Competition Sheet

International FW and FS Wrestling Tournament



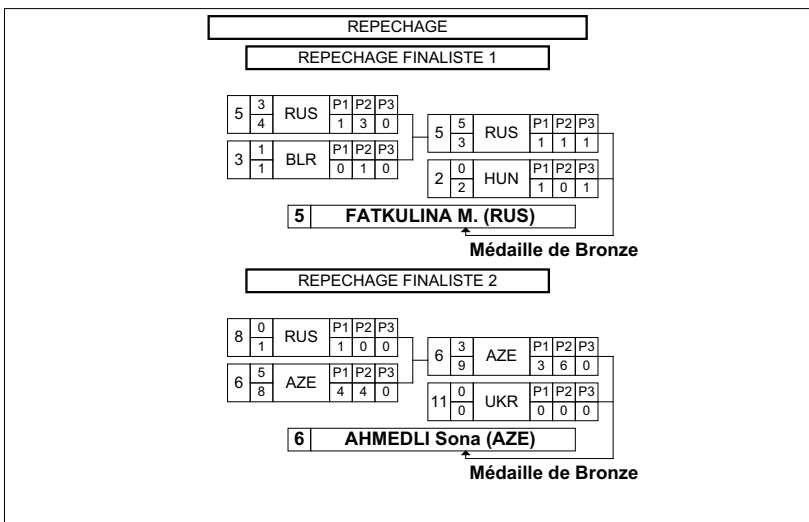
STYLE : FW 59 kg



4 KRISTEA Lydmila (MLD)

Classement

Cl	Pays	Nom
1	MLD	KRISTEA Lydmila
2	RUS	LEGIONKINA Galina
3	RUS	FATKULINA Margarita
3	AZE	AHMEDLI Sona
5	HUN	GODO K.
5	UKR	CHERKASSOVA Alla
7	AZE	MURSALOVA Elvira
8	BLR	BOKHAN Tatsiana
9	LAT	GRIGORIEVA Nastya
10	RUS	NOVITSKAYA E.
11	SWE	NERELL Ida-theres
12	BLR	SAVENYA Anna
13	LAT	KOPYLOVA Irina



Médaille de Bronze

Médaille de Bronze



Feuille de compétition / Competition Sheet

International FW and FS Wrestling Tournament



STYLE : FW 63 kg

QUALIFICATION		1/8 FINALE		1/4 FINALE		1/2 FINALE		FINALE	
1	SASTIN M. (HUN)	1	3/4 HUN	1	3/6 HUN	1	1/2 HUN	7	0/0 RUS
2	DOMBROVSKA K. (UKR)	2	1/4 UKR	5	1/2 RUS	7	3/3 RUS	10	3/2 RUS
3	BEN SASSI Soumaya (TUN)	3	3/3 TUN	7	3/3 RUS	10	3/3 RUS	10	3/3 RUS
4	MICHALA Spoustova (CHE)	4	1/1 CHE	8	1/1 UKR	11	1/3 UKR	14	1/1 UKR
5	KUZNETSOVA Y. (RUS)	5	5/7 RUS	10	3/5 RUS	11	1/3 UKR	14	5/5 UKR
6	SARYGUL KYZY Elzat (KRG)	6	0/0 KRG	11	0/0 AZE	14	3/3 UKR	16	1/1 SWE
7	VOLOSOVA Lubov' (RUS)	7	3/3 RUS	12	0/0 AZE	14	3/3 UKR	18	0/0 RUS
8	OSTAPCHUK Yuliya (UKR)	8	1/1 UKR	14	3/3 UKR	18	0/0 RUS	21	0/0 UKR
9	GOLOVCHENKO L. (UKR)	9	0/0 UKR	16	1/1 SWE	21	3/8 UKR		
10	KARTASHOVA Aliona (RUS)	10	0/0 UKR	18	0/0 RUS				
11	NETREBA Irina (UKR)	11	3/3 UKR	21	0/0 UKR				
12	ZAMULA Olesya (AZE)	12	5/6 AZE						
13	KUCHIMOVA Salomat (UZB)	13	0/0 UZB						
14	SHALIKOVA Oksana (UKR)	14	3/3 UKR						
15	BUTKEVICH Olga (GBR)	15	0/0 GBR						
16	ALLANDI Helena (SWE)	16	3/4 SWE						
17	IANCOLOVICI Bianca (ROM)	17	0/0 ROM						
18	KULIKOVA ELENA (RUS)	18	3/2 RUS						
19	LAPPOV Nataliya (BLR)	19	0/0 BLR						
20	KOLOBAYEVA Maryna (RUS)	20	0/0 ROM						
21	KVYATKOVSKA M. (UKR)	21	3/9 UKR						

10 KARTASHOVA Aliona (RUS)

Classement

Cl	Pays	Nom
1	RUS	KARTASHOVA Aliona
2	RUS	VOLOSOVA Lubov'
3	UKR	OSTAPCHUK Yuliya
3	UKR	SHALIKOVA Oksana
5	HUN	SASTIN M.
5	UKR	GOLOVCHENKO Lydmila
7	RUS	KUZNETSOVA Y.
8	UKR	KVYATKOVSKA M.
9	AZE	ZAMULA Olesya
10	UKR	NETREBA Irina
11	SWE	ALLANDI Helena
12	TUN	BEN SASSI Soumaya
13	RUS	KULIKOVA ELENA
14	UKR	DOMBROVSKA Kateryna
15	CHE	MICHALA Spoustova
16	BLR	LAPPOV Nataliya
16	GBR	BUTKEVICH Olga
18	ROM	IANCOLOVICI Bianca
19	UZB	KUCHIMOVA Salomat
20	KRG	SARYGUL KYZY Elzat
21	RUS	KOLOBAYEVA Maryna

REPECHAGE

REPECHAGE FINALISTE 1

8	3/3 UKR	1/2	0	8	3/2 UKR	1/1	0
5	0/0 RUS	0	0	1	1/1 HUN	0	1

8 OSTAPCHUK Yuliya (UKR)

Médaille de Bronze

REPECHAGE FINALISTE 2

9	3/3 UKR	2	1	9	0/0 UKR	0	0
11	1/1 UKR	1	0	14	3/4 UKR	1	3

14 SHALIKOVA Oksana (UKR)

Médaille de Bronze



Feuille de compétition / Competition Sheet

International FW and FS Wrestling Tournament



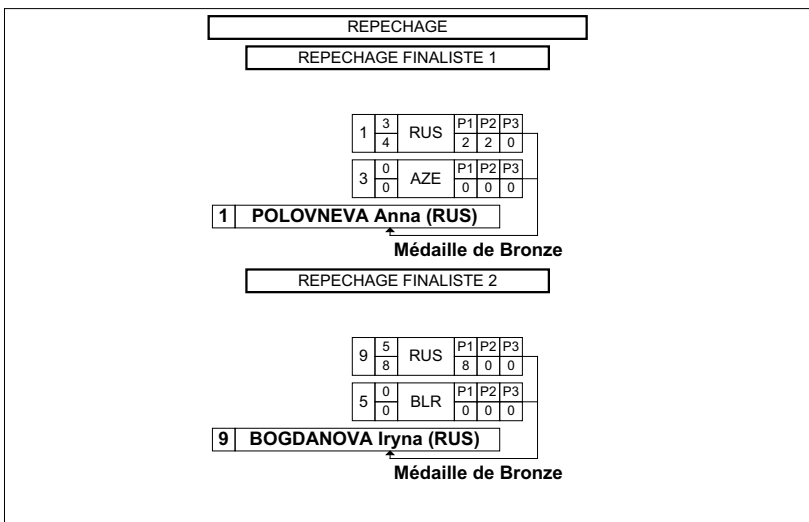
STYLE : FW 67 kg



2 BARTNOVSKAYA Y. (RUS)

Classement

Cl	Pays	Nom
1	RUS	BARTNOVSKAYA Yuliya
2	RUS	KUKSINA Nataliya
3	RUS	POLOVNEVA Anna
3	RUS	BOGDANOVA Iryna
5	AZE	KACHINA Maria
5	BLR	IHNATSIUK Volha
7	HUN	SZETENCE M.
8	UKR	PALAMARCHUK N.
9	UKR	MLYNARSKA Viktoriya





Feuille de compétition / Competition Sheet

International FW and FS Wrestling Tournament



STYLE : FW 72 kg



5 MANUROVA Guzel (RUS)

Classement

Cl	Pays	Nom
1	RUS	MANUROVA Guzel
2	RUS	PEREPIOLKINA Elena
3	USA	SMITH Iris
3	RUS	STARODUBTSEVA A.
5	ROM	MUDRA Diana
5	RUS	BUKINA Ekaterina
7	USA	DOWNING Katie
8	AZE	GURBANHAJIEVA Z.
9	UKR	SAYENKO Svitlana
10	AUT	GASTL Marina
11	UKR	VASCHUK Oksana
12	BLR	SHINKARIOVA Natalia
13	CHE	NINA Sklenkova
14	RUS	NAZAROVA Dariya
15	KRG	PANOVA Yana
15	UKR	SEMENTSOVA Nadiya
17	HUN	SOOS R.
17	AZE	IVANOVA Dina
19	RUS	SCHAVLINSKAYA A.

